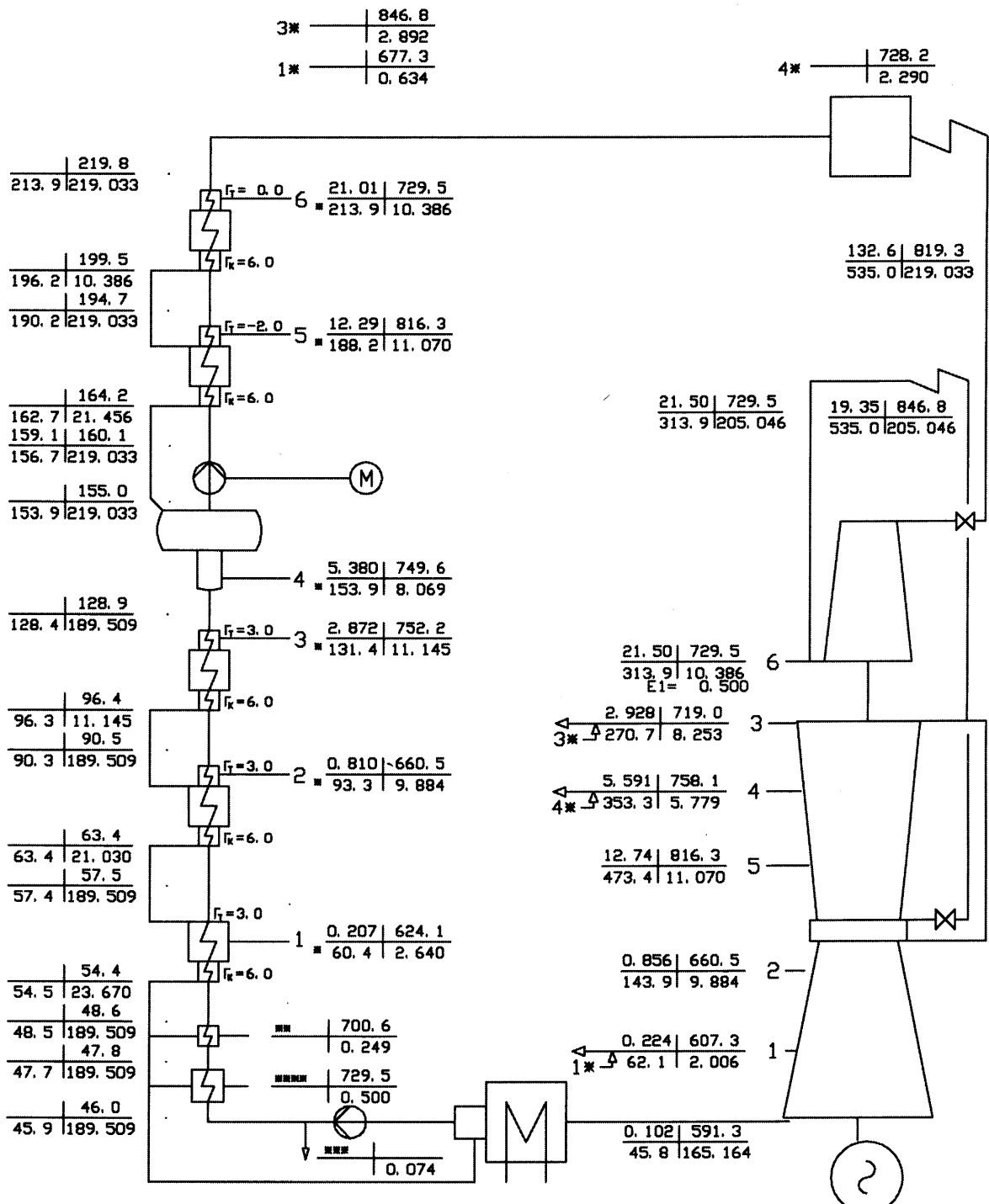


EXTRACTION ARRANGEMENT IS SCHEMATIC ONLY



ata | kcal/kg
°C | t/h

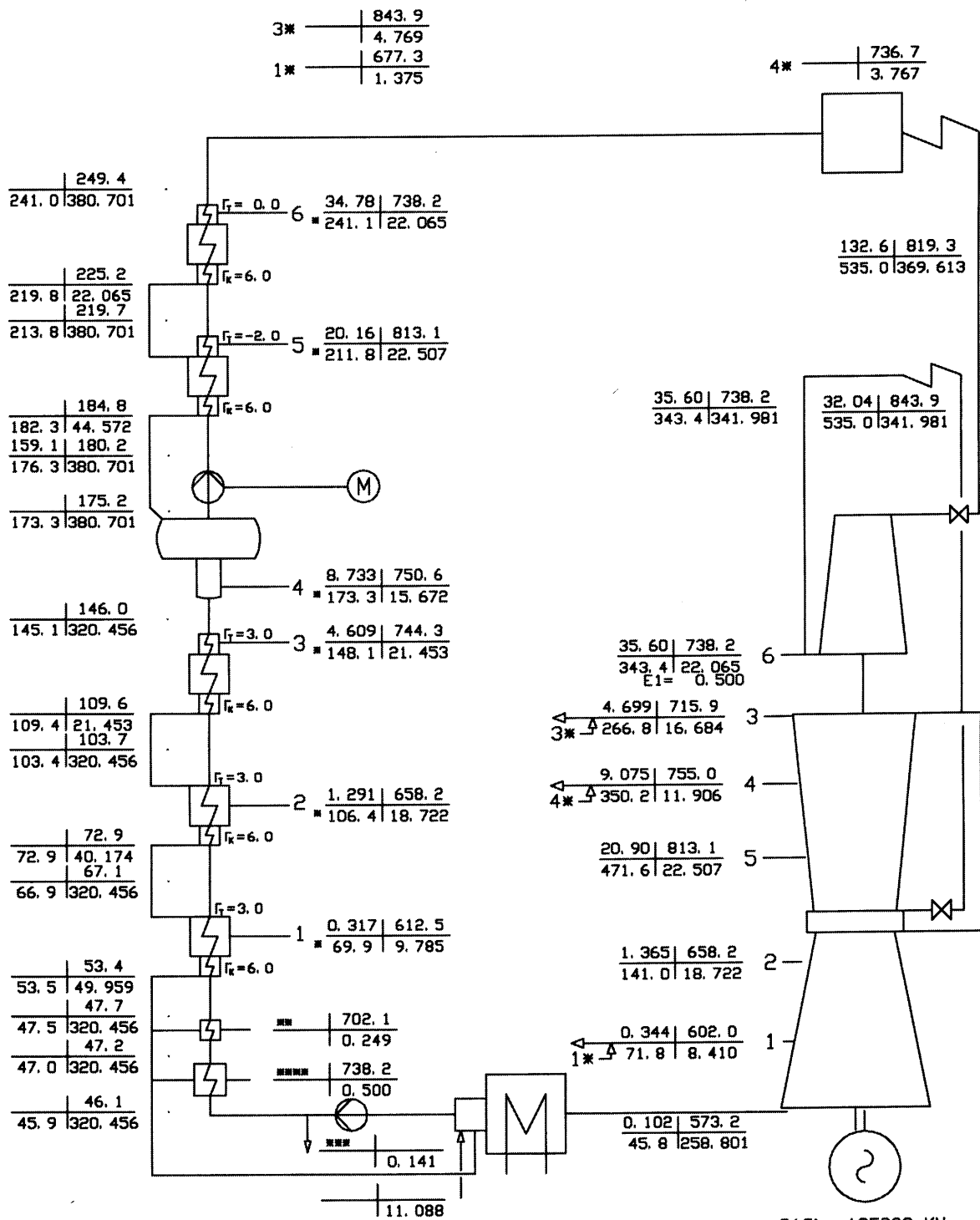
* Saturation temperature *** Gland steam injection
** Gland leakage steam **** Ejector steam

P(G) = 75002 kW
HR= 2071 kcal/kW

Plot: GM012 Vers. PCs 01. 94
HT452 Vers. 97. 03. 14

change	A	date: 98-10-28	issued: DLCA	check:	appr.:
ANSALDO ENERGIA		Plant AKRIMOTA		Dept. IIT/STV	
		Rated output 125 MW		doc. t fmt. lang sheet hr. shts	
		HEAT BALANCE AT: 60%		E 4	
		CWIT = 34 DEG. C. - WITHOUT MAKE-UP		BTR. 98. 0122	

EXTRACTION ARRANGEMENT IS SCHEMATIC ONLY



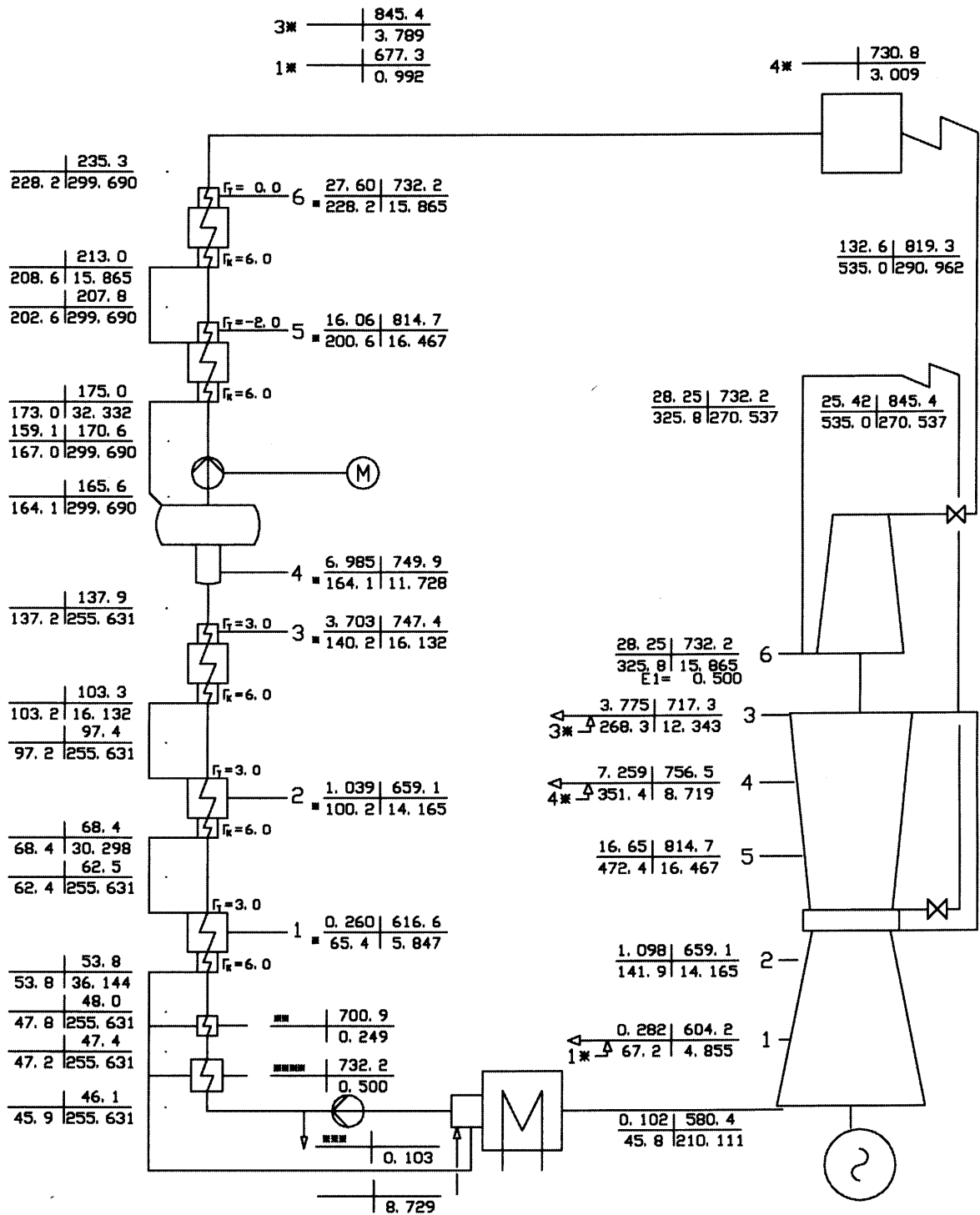
ata | kcal/kg
°C | t/h

* Saturation temperature *** Gland steam injection
** Gland leakage steam **** Ejector steam

Plot: GM012 Vers. PCs 01.94
HT452 Vers. 97.03.14

change	A	date	98-10-28	issued	DLCA	check	appr.
ANSALDO		Plant		AKRIMOTA		Dept. IIT/STV	
ENERGIA		Rated output		125 MW		doc. t fnt. lang sheet nr. shts	
		HEAT BALANCE AT: 100%				E 7	
		CWIT = 34 oC - WITH 3% MAKE-UP				BTR. 98.0122	

EXTRACTION ARRANGEMENT IS SCHEMATIC ONLY



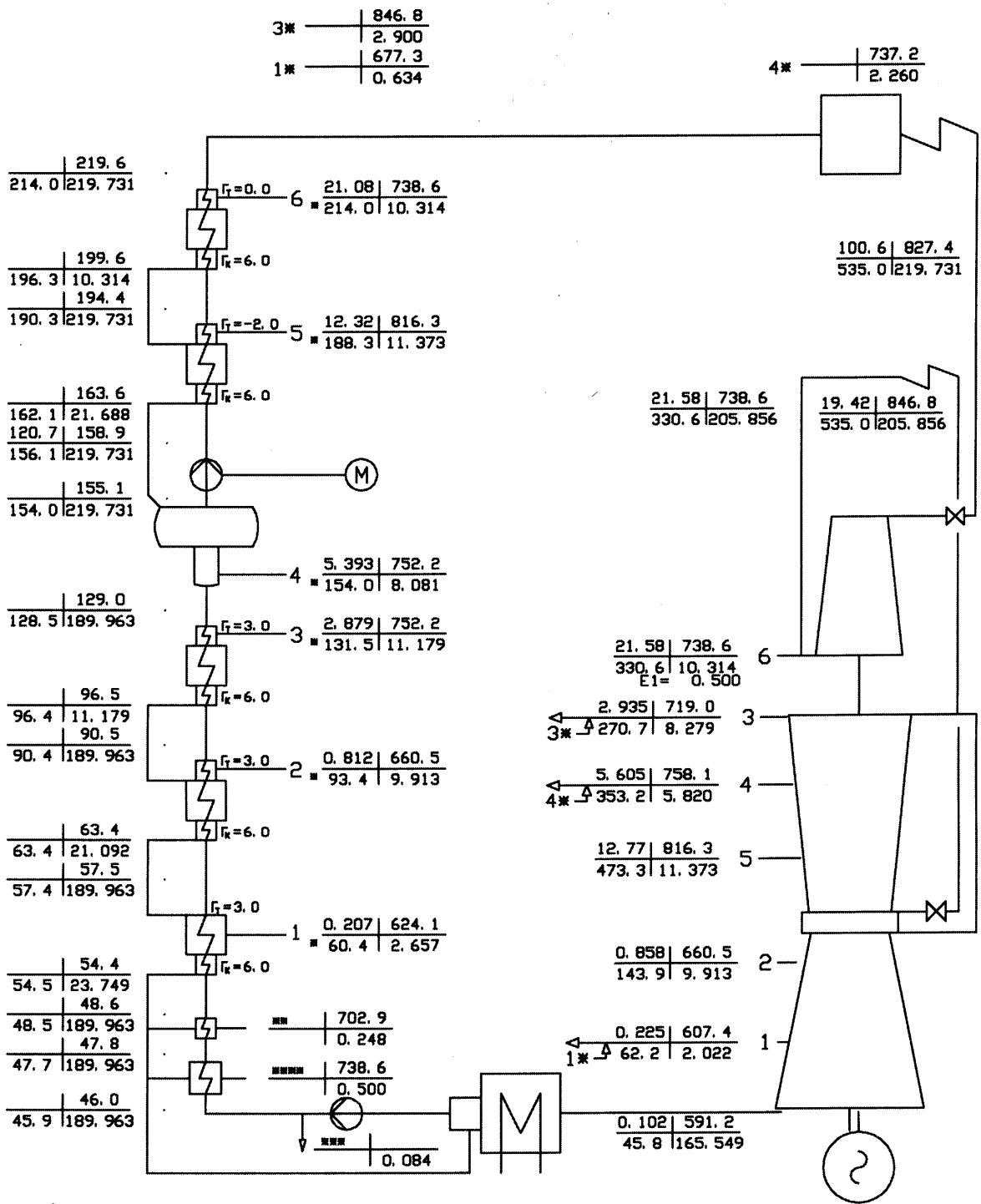
ata | kcal/kg
°C | t/h

- * Saturation temperature
- ** Gland leakage steam
- *** Gland steam injection
- **** Ejector steam

Plot: GM012 Vers. PCs 01.94
HT45E Vers. 97.03.14

change	A	date: 98-10-28	issued: DLCA	check:	appr.:	
ANSALDO ENERGIA		Plant AKRIMOTA Rated output 125 MW HEAT BALANCE AT: 80% CWIT = 34 DEG. C. - WITH 3% MAKE-UP			Dept. IIT/STV doc. t fnt. lang sheet nr. shts E 8	
		BTR. 98.0122				

EXTRACTION ARRANGEMENT IS SCHEMATIC ONLY



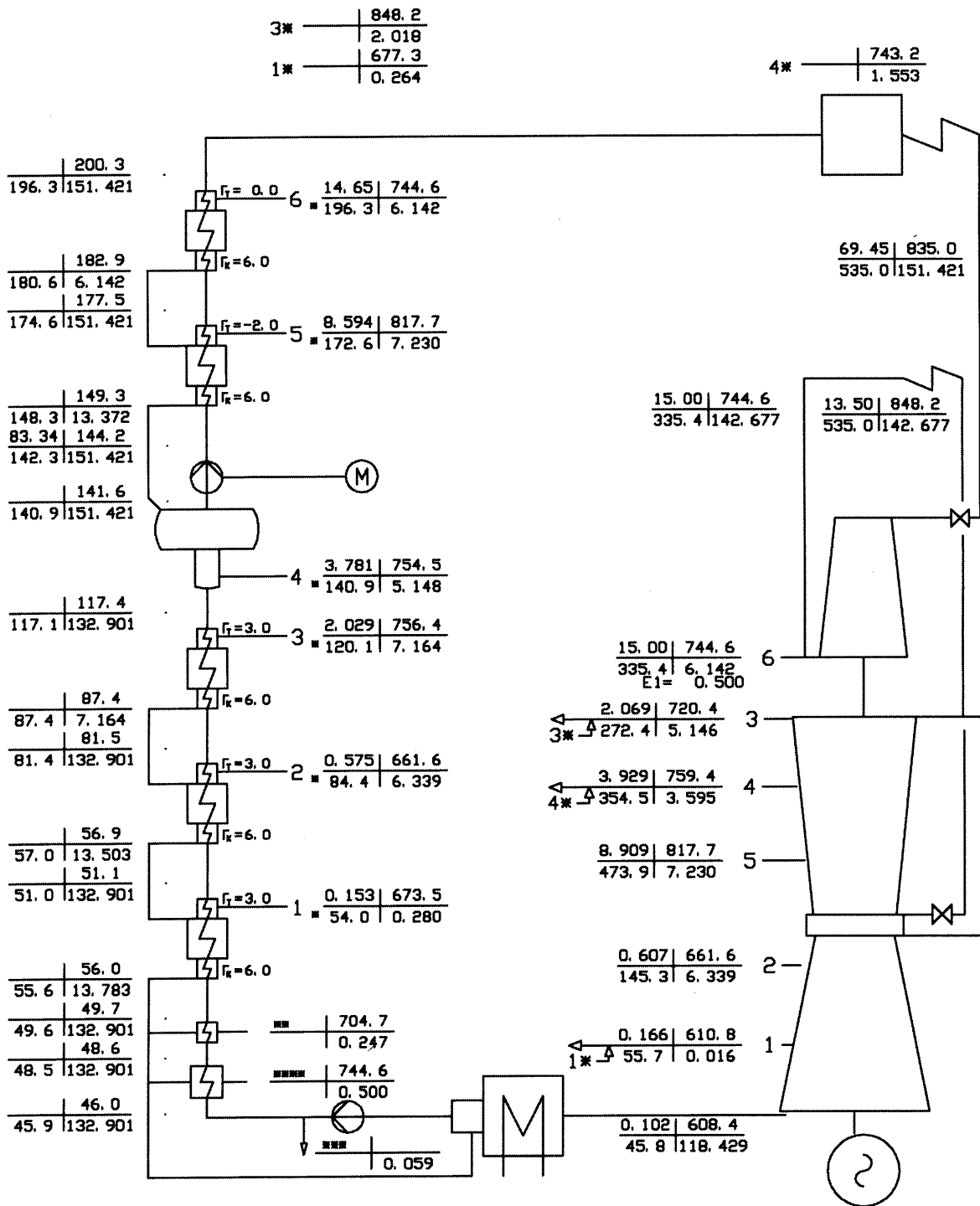
ata | kcal/kg
°C | t/h

- * Saturation temperature
- ** Gland leakage steam
- *** Gland steam injection
- **** Ejector steam

Plot: GH012 Vers. PCs 01.94
HT452 Vers. 97.03.14

change	A	date: 98-10-28	issued: DLCA	check:	appr.:	
ANSALDO ENERGIA		Plant AKRIMOTA Rated output 125 MW HEAT BALANCE AT: 60% SLIDING PRESSURE CWIT = 34 DEG. C. - WITHOUT MAKE-UP			Dept. IIT/STV doc. t. fnt. lang sheet nr. shts E 11	
BTR. 98.0122						

EXTRACTION ARRANGEMENT IS SCHEMATIC ONLY



P(G) = 50000 KW
HR = 2219 kcal/kW

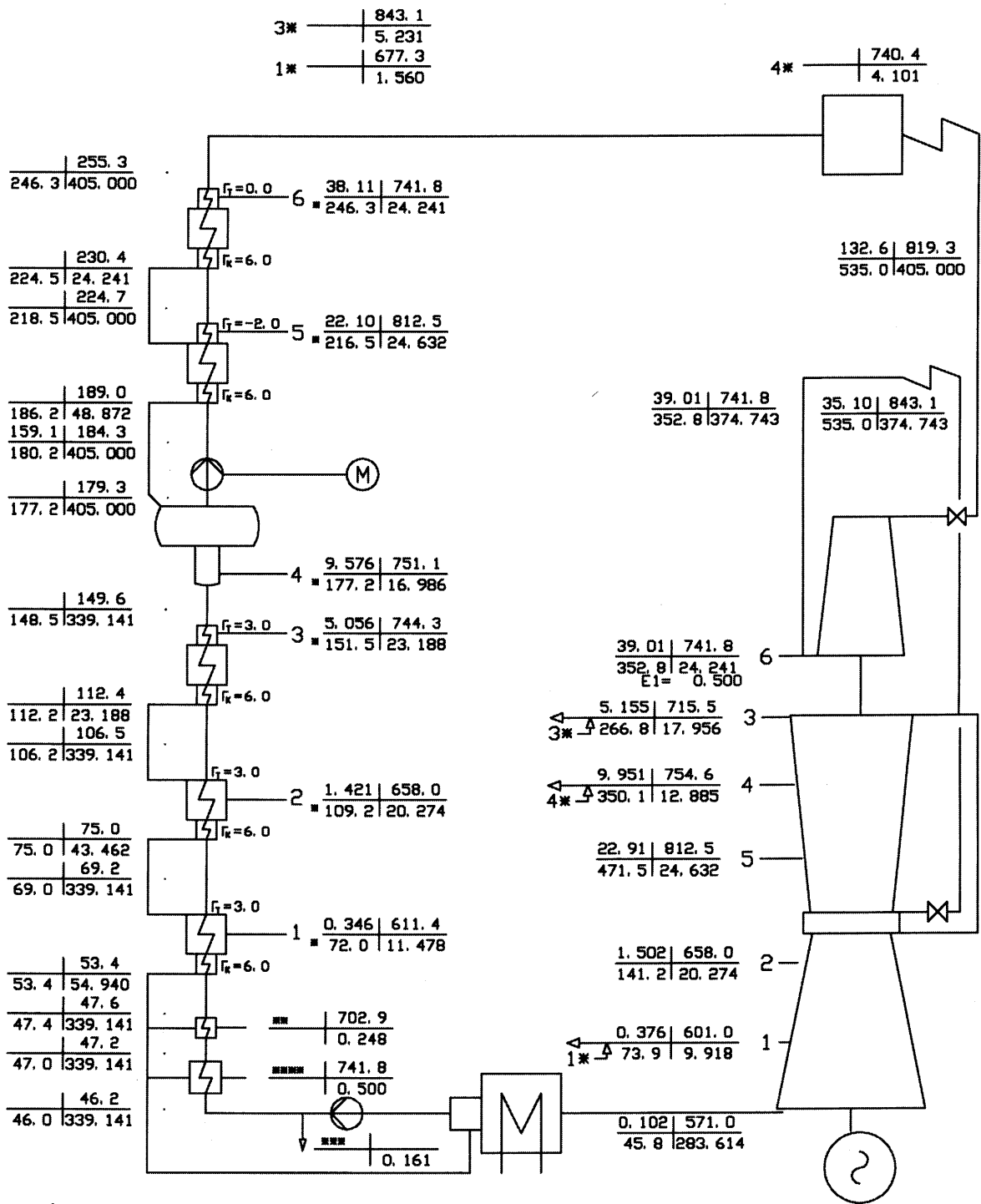
ata | kcal/kg
°C | t/h

* Saturation temperature *** Gland steam injection
** Gland leakage steam **** Ejector steam

Plot: GM012 Vers. PCs 01.94
HT452 Vers. 97.03.14

change	A	date: 98-10-28	issued: DLCA	check:	appr.:
ANSALDO ENERGIA		Plant	AKRIMOTA		Dept. IIT/STV
		Rated output	125 MW		doc. t
		HEAT BALANCE AT: 40% SLIDING PRESSURE			lang
		CWIT = 34 DEG. C. - WITHOUT MAKE-UP			sheet
					hr. shta
					E 12
					BTR. 98.0122

EXTRACTION ARRANGEMENT IS SCHEMATIC ONLY



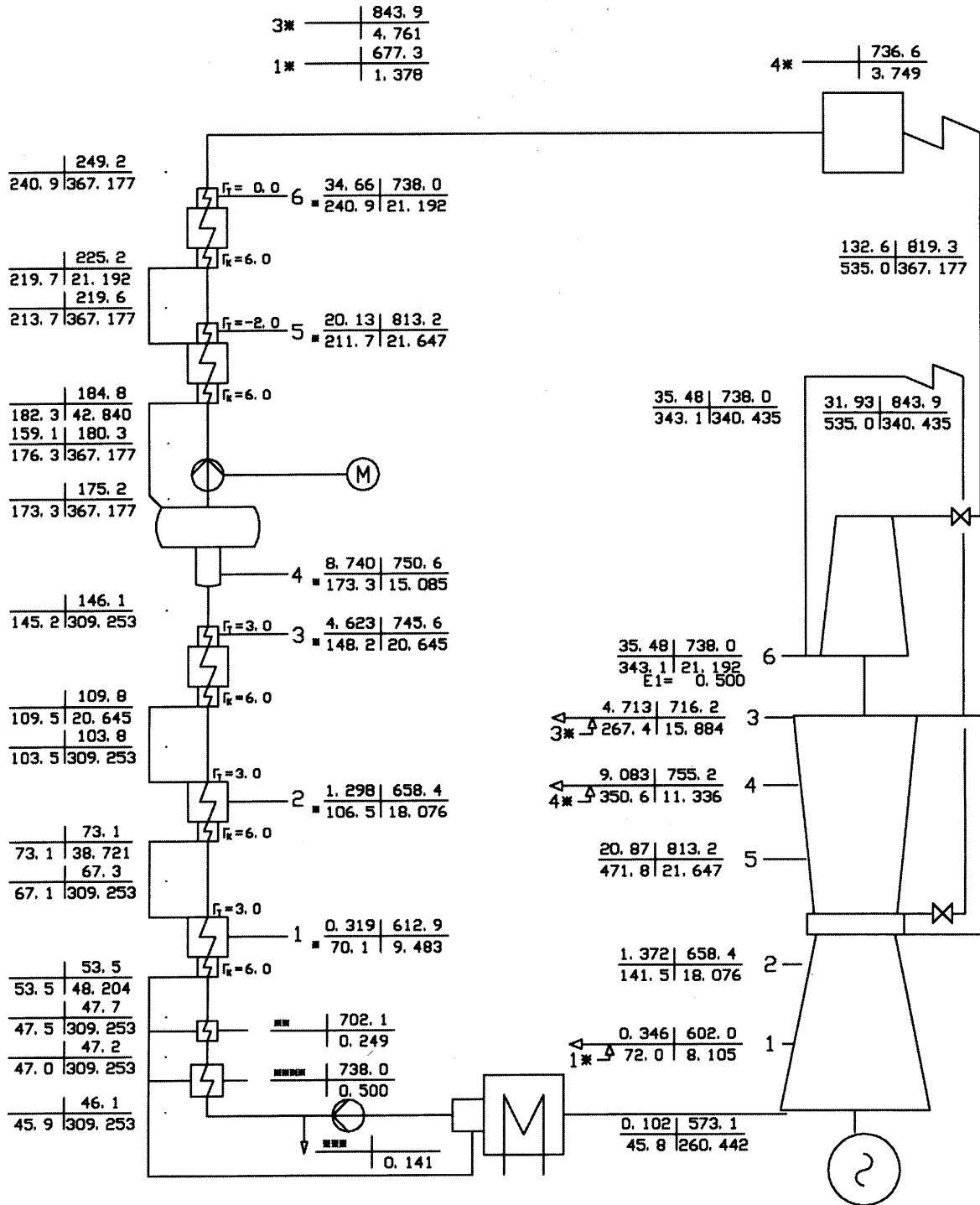
ata | kcal/kg
°C | t/h

* Saturation temperature *** Gland steam injection
** Gland leakage steam **** Ejector steam

Plot: GH012 Vers. PCs 01. 94
HT452 Vers. 97. 03. 14

change	A	date: 98-10-28	issued: DLCA	check:	appr.:
ANSALDO ENERGIA		Plant AKRIMOTA		Dept. IIT/STV	
		Rated output 125 MW		doc. t fnt. lang sheet nr. shts	
		HEAT BALANCE AT: V. W. D.		E 1	
		CWIT = 34 oC - WITHOUT MAKE-UP		BTR. 98. 0122	

EXTRACTION ARRANGEMENT IS SCHEMATIC ONLY

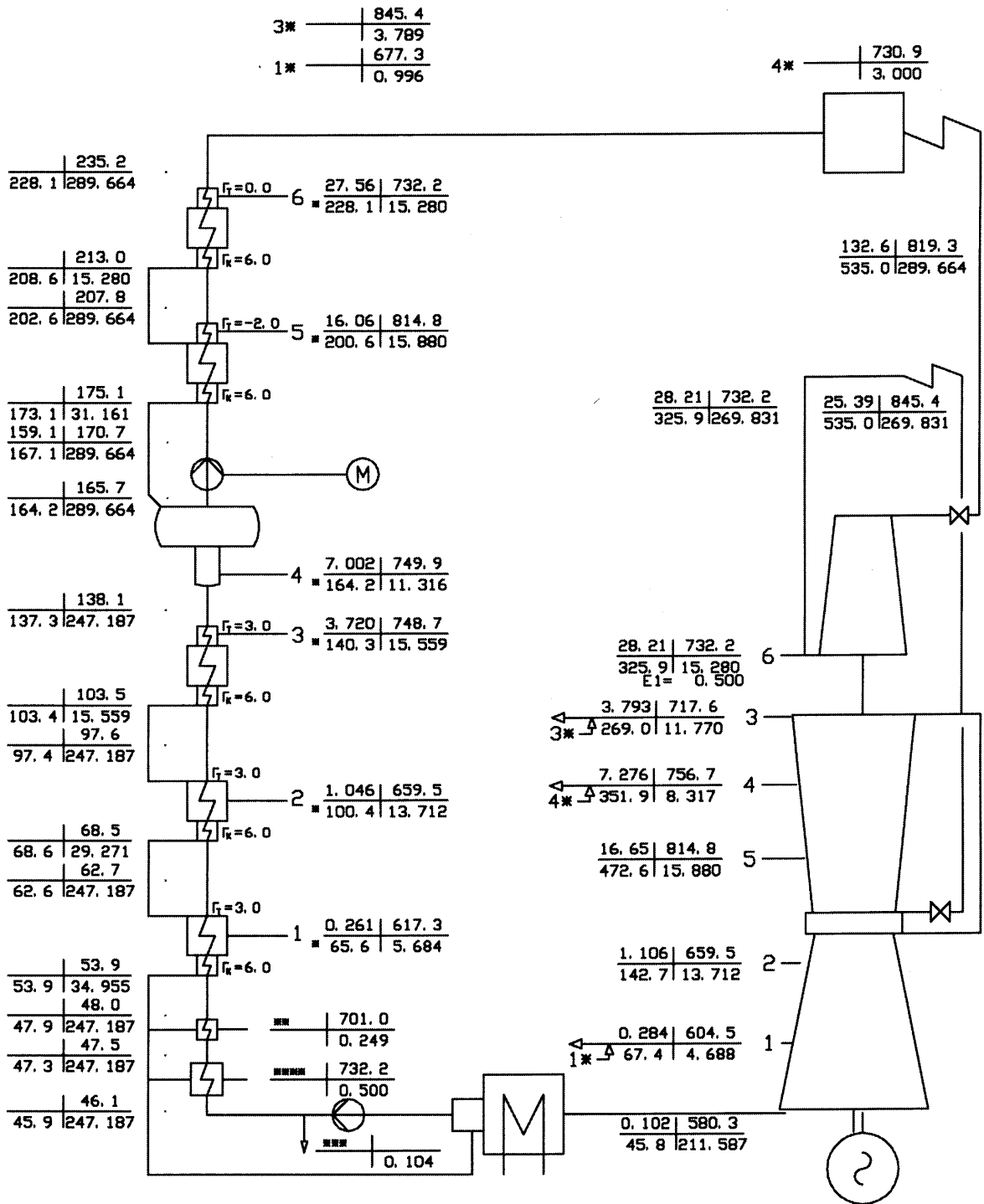


$\frac{ata}{^\circ C} \frac{kcal/kg}{t/h}$
 * Saturation temperature $***$ Gland steam injection
 $**$ Gland leakage steam $****$ Ejector steam

Plot: GM012 Vers. PC5 01.94
 HT452 Vers. 97.03.14

change	A	date: 98-10-28	issued: DLCA	check:	appr.:
ANSALDO ENERGIA		Plant AKRIMOTA		Dept. IIT/STV	
		Rated output 125 MW		doc. t. fmt. lang. sheet hr. shts.	
		HEAT BALANCE AT: 100%		E 2	
		CWIT = 34 oC - WITHOUT MAKE-UP		BTR. 98. 0122	

EXTRACTION ARRANGEMENT IS SCHEMATIC ONLY



PKGO = 100000KW
HR= 1997 kcal/kW

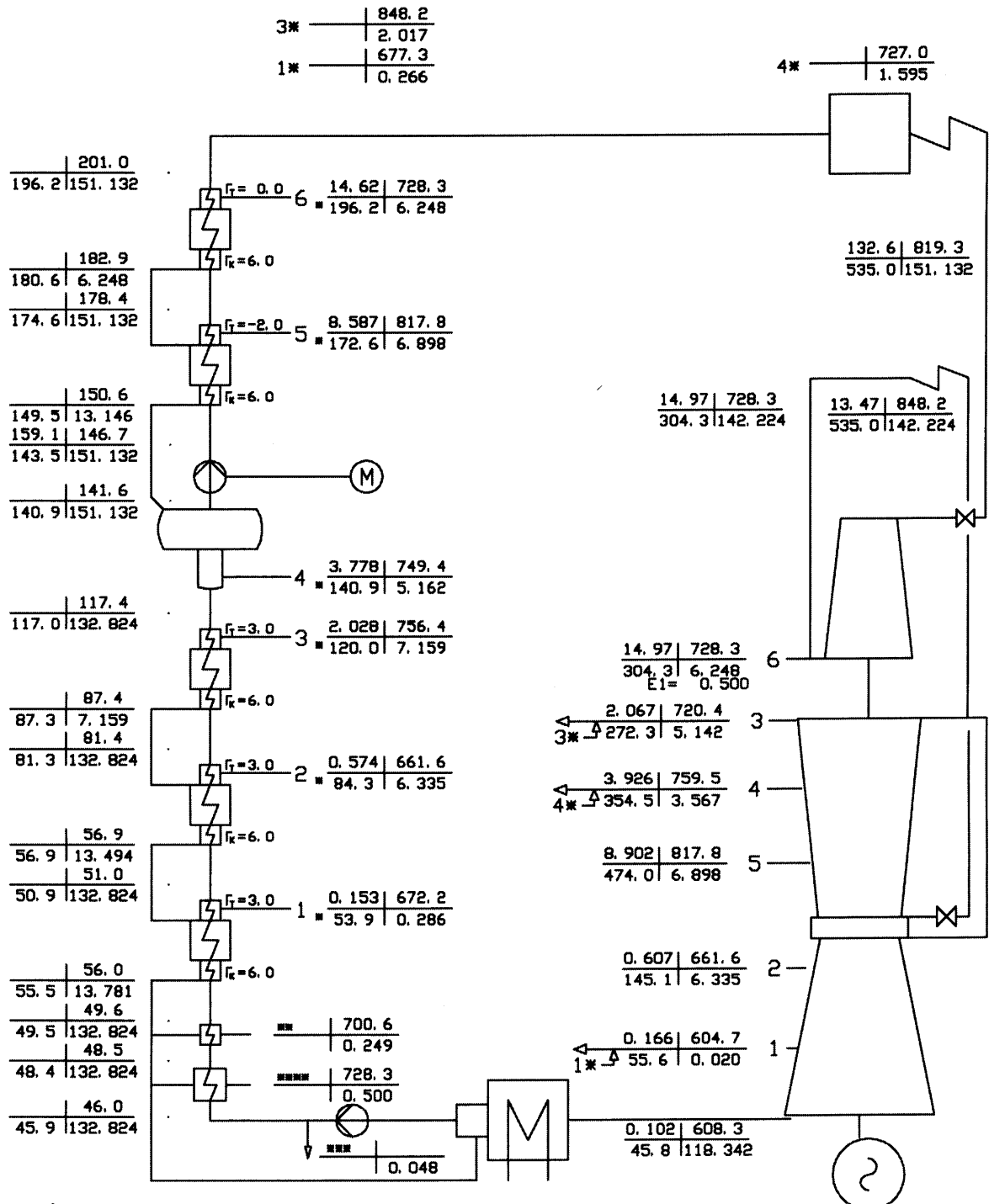
ata | kcal/kg
°C | t/h

*** Saturation temperature **** Gland steam injection
** Gland leakage steam ***** Ejector steam

Plot: GMD12 Vers. PCs 01.94
HT452 Vers. 97.03.14

change	A	date: 98-10-28	issued: DLCA	check:	appr.:
ANSALDO ENERGIA		Plant	AKRIMOTA		Dept. IIT/STV
		Rated output	125 MW		doc. t
		HEAT BALANCE AT:	80%		lang
		CWIT = 34 oC - WITHOUT MAKE-UP			sheet
					nr. shts
					3
					BTR. 98.0122

EXTRACTION ARRANGEMENT IS SCHEMATIC ONLY



P(G) = 50002 kW
HR = 2210 kcal/kW

ata | kcal/kg
°C | t/h

- * Saturation temperature
- ** Gland leakage steam
- *** Gland steam injection
- **** Ejector steam

Plot: GH012 Vers. PCs 01.94
HT452 Vers. 97.03.14
10

change	A	date: 98-10-28	issued: DLCA	check:	appr.:	
ANSALDO		Plant AKRIMOTA			Dept. IIT/STV	
ENERGIA		Rated output 125 MW			doc. t. fnt. lang sheet nr. shts	
		HEAT BALANCE AT: 40%			E 5	
		CWIT = 34 DEG. C. - WITHOUT MAKE-UP			BTR. 98.0122	